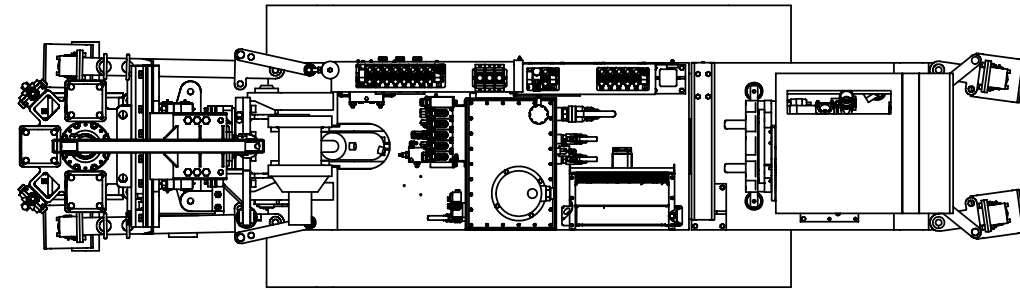


8 7 6 5 4 3 2 1

PARTS LIST				
ITEM NO.	PART NUMBER	DESCRIPTION	MATERIAL SPECIFICATION	QTY REQ'D

TOTAL EST. WT. = 13,000 LBS



D

D

C

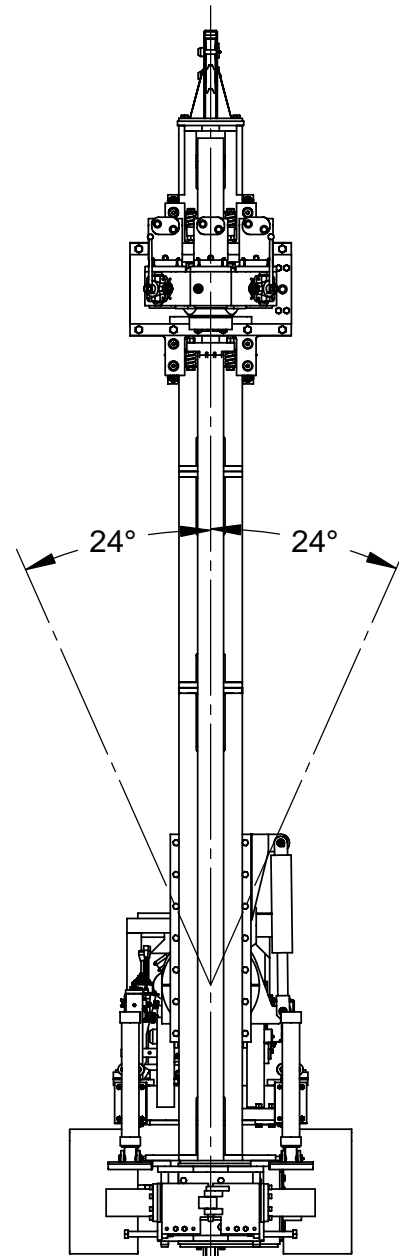
C

B

B

A

A



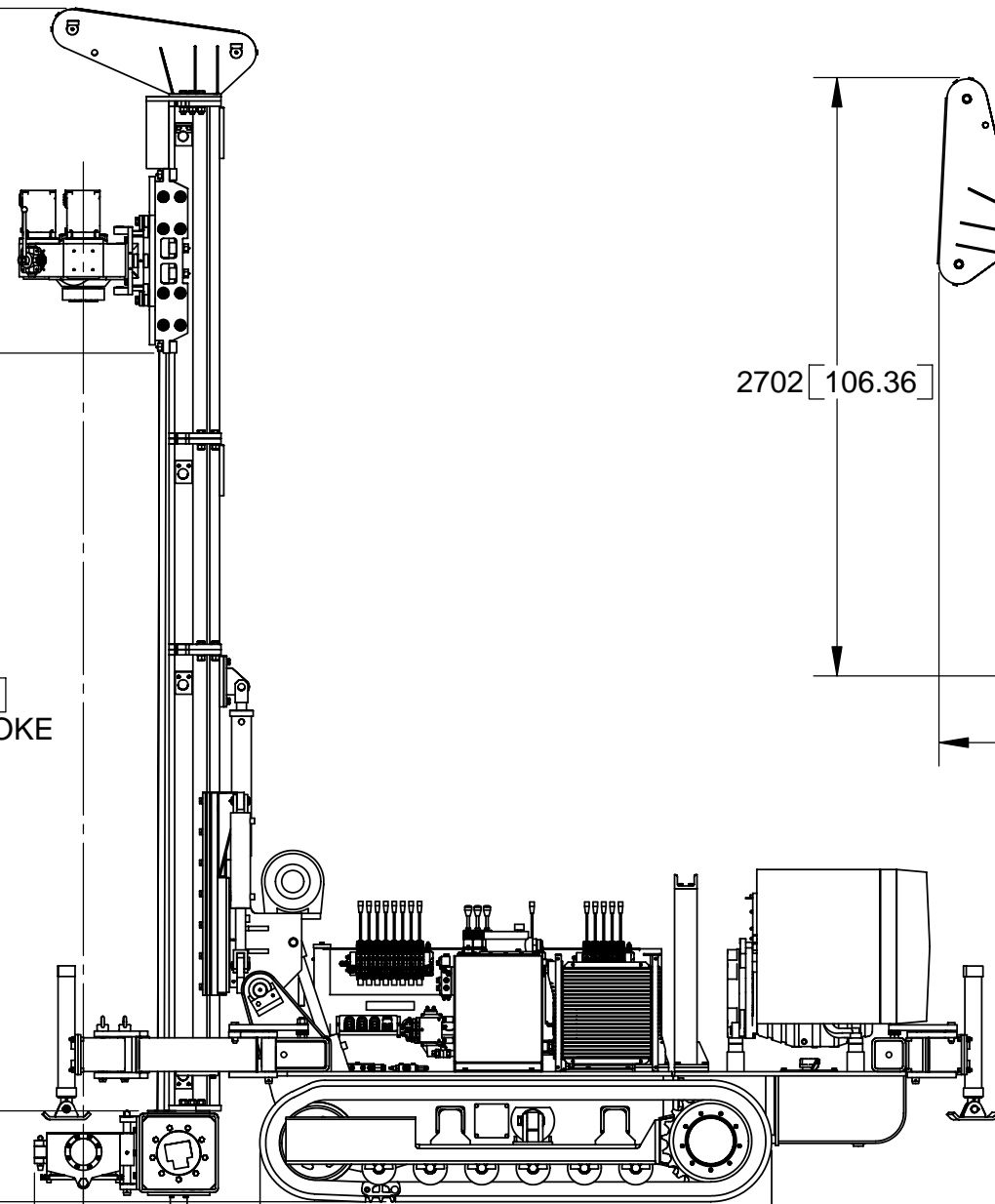
24° 24°

5389 [212.15]

3421 [134.70]  
WORKING STROKE

300 [11.81]

1242 [48.88] EXTENDED  
962 [37.87] RETRACTED



797 [31.39] 1031 [40.58]

2311 [90.97]

4360 [171.64]

2702 [106.36]

252 [9.90]

5287 [208.16]

REV	ECO	DESCRIPTION	DATE	BY	APPD
--	--	--	--	--	--
REVISIONS					
UNLESS OTHERWISE SPECIFIED: DIMENSIONS ARE IN MM [IN] TOLERANCES: DECIMALS ANGLES X ±0.5 X ±0.5° XX ±0.5 X XX ±0.05		CAD GENERATED DRAWING, DO NOT MANUALLY UPDATE		<b>DAVEY DRILL</b> A DIVISION OF DAVEY KENT INC.  DK525 GENERAL	
THE INFORMATION CONTAINED IN THIS DRAWING IS THE SOLE PROPERTY OF DAVEY KENT INC. ANY REPRODUCTION IN PART OR WHOLE WITHOUT THE WRITTEN PERMISSION OF DAVEY KENT IS STRICTLY PROHIBITED		DO NOT SCALE DRAWING			
MATERIAL P/N		SCALE 1:33.3	3RD ANGLE PROJECTION		
QTY		SHEET 1 OF 1	DATE		
MATERIAL		APPROVALS	DATE	SIZE CODE CLASS PART NUMBER	
MATERIAL P/N		DRAWN DWD	3-23-00	B 10 000	
QTY		CHECKED		DASH REV	
WEIGHT		APPROVED		02506 - -	

8 7 6 5 4 3 2 1