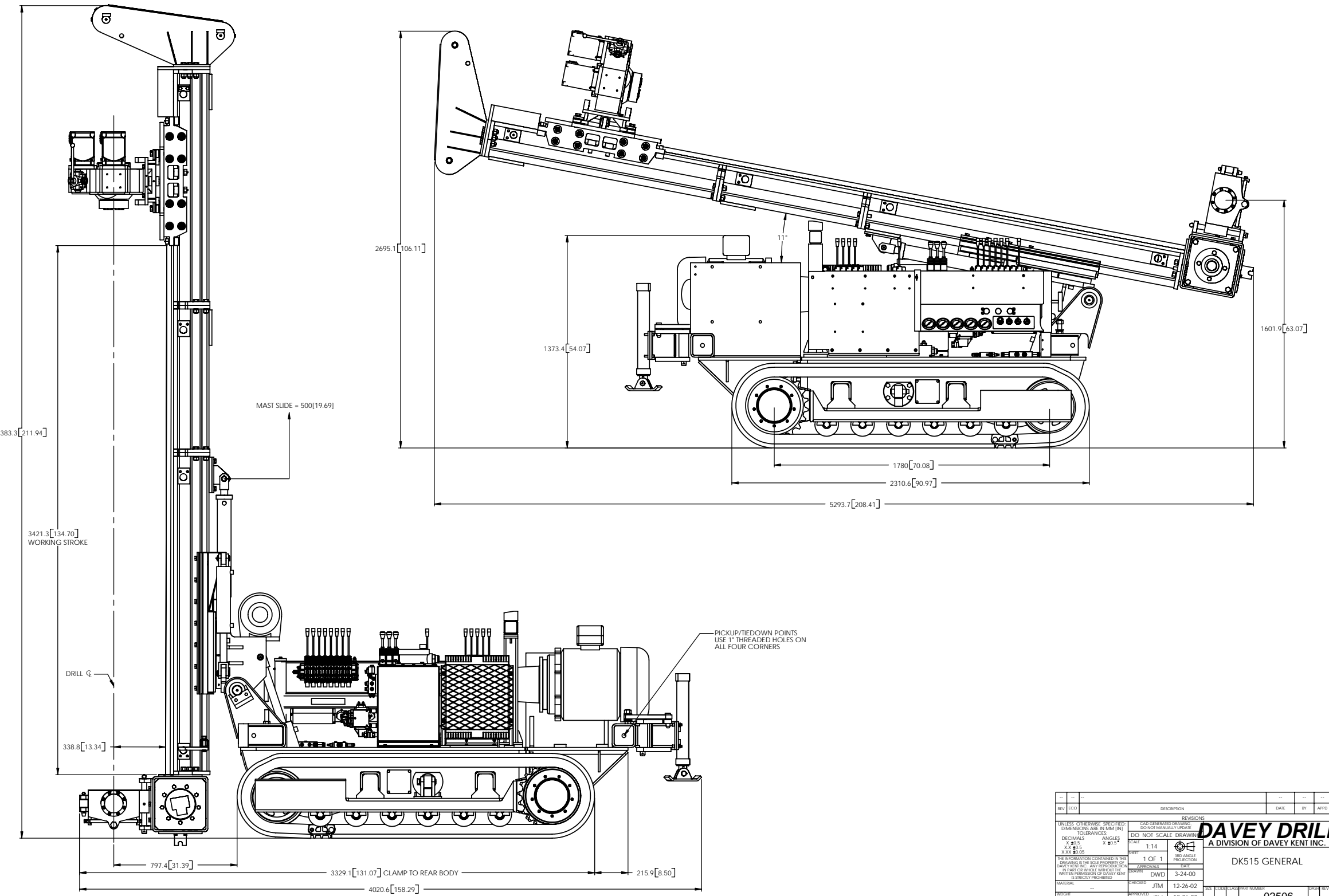
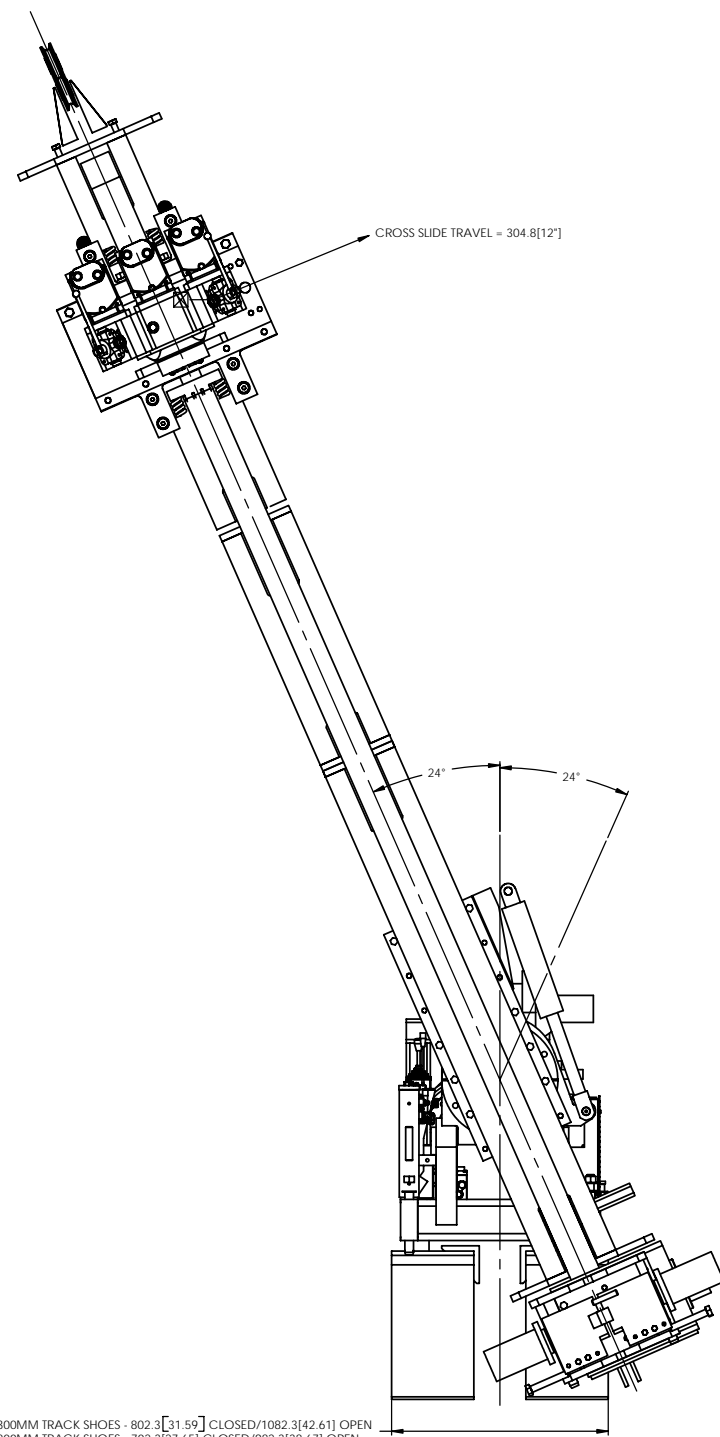
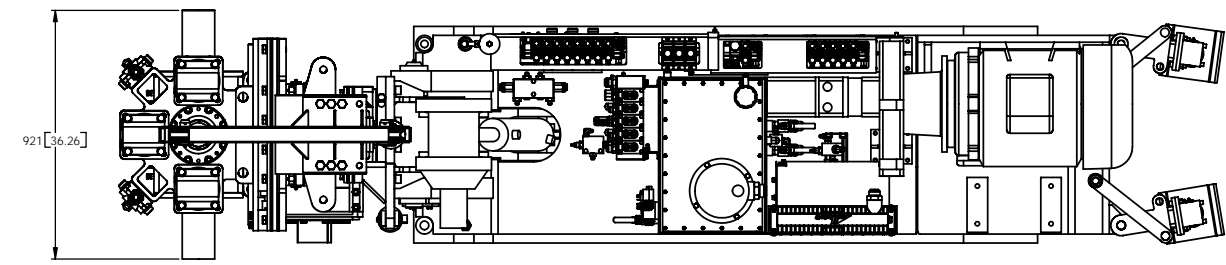


PARTS LIST				
ITEM NO.	PART NUMBER	DESCRIPTION	MATERIAL SPECIFICATION	QTY

TOTAL ESTIMATED WEIGHT= 12,500 LBS[5670 KG]



300MM TRACK SHOES - 802.3 [31.59] CLOSED/1082.3 [42.61] OPEN  
 200MM TRACK SHOES - 702.3 [27.65] CLOSED/982.3 [38.67] OPEN

REV	ECO	DESCRIPTION	DATE	BY	APPD

UNLESS OTHERWISE SPECIFIED, DIMENSIONS ARE IN MM (IN) TOLERANCES:		CAST GENERATED DRAWING - DO NOT MANUALLY UPDATE	
DECIMALS	ANGLES	DO NOT SCALE DRAWING	SCALE
XX.XX ± 0.15	XX ± 0.5°	1 OF 1	1:14
XX.X ± 0.05	XX ± 0.25°	DATE	ISSUANCE
		3-24-00	3-24-00

REVISIONS		DRAWN		APPROVED	
		DWD	JTM	JTM	JTM

DRAWING IS THE SOLE PROPERTY OF DAVEY DRILL INC. ANY REPRODUCTION WITHOUT PERMISSION OF DAVEY DRILL INC. IS STRICTLY PROHIBITED.		PART NUMBER		ISSUE	
		DK515 GENERAL		02	
		02506		02	